
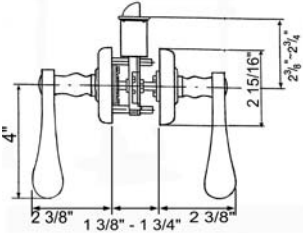

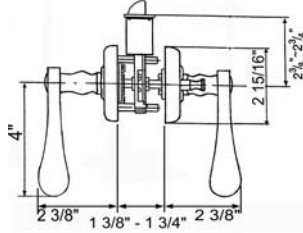

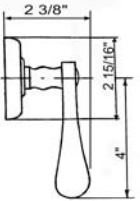

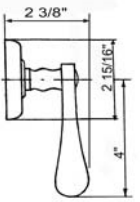


BETTER HOME PRODUCTS

GOLDEN GATE III COLLECTION SPECIFICATIONS

9600 SERIES - CHROME & BRASS COMBINATION, PLATED SOLID BRASS

		<p>BHP ITEM# 96183CB - Passage Set</p> <p>Grade III tubular passage set. Forged brass construction. Door Prep - Crossbore 2 1/8", Edge Bore 1", Latch Face 1"x2 1/4" Door Thickness - 1 3/8" to 1 3/4" Function: Both levers always free Strike - Full lip radius corner standard. Other options available Latch - 1/2" throw bolt, 2 3/8" or 2 3/4" backset adjustable. Radius corner face plate standard. Other options available Door Handing - Reversible for right or left hand doors</p>
		<p>BHP ITEM# 96283CB - Privacy Set</p> <p>Grade III tubular privacy set. Forged brass construction. Door Prep - Crossbore 2 1/8", Edge Bore 1", Latch Face 1"x2 1/4" Door Thickness - 1 3/8" to 1 3/4" Function - Both sides lever locked or unlocked by center turn-button inside. Also can be opened by emergency key outside Strike - Full lip radius corner standard. Other options available Latch - 1/2" throw bolt, 2 3/8" or 2 3/4" backset adjustable. Radius corner face plate standard. Other options available Door Handing - Reversible for right or left hand doors</p>
		<p>BHP ITEM# 96383CB - Dummy Lever</p> <p>Grade III dummy lever. Forged brass construction. Door Prep - Surface mounted with 2 exposed mounting screws. No door prep needed Door Thickness - greater than 1" Function: Active lever, for doors where only a pull / push is required. Door Handing - Reversible for right or left hand doors</p>
		<p>BHP ITEM# 96983CB - Trim Lever</p> <p>Grade III handleset trim lever, works for aBHP offering handlesets. Forged brass construction. Door Prep - See BHP handleset door prep Door Thickness - 1 3/8" to 1 3/4" Function: Lever always free Door Handing - Reversible for right or left hand doors</p>